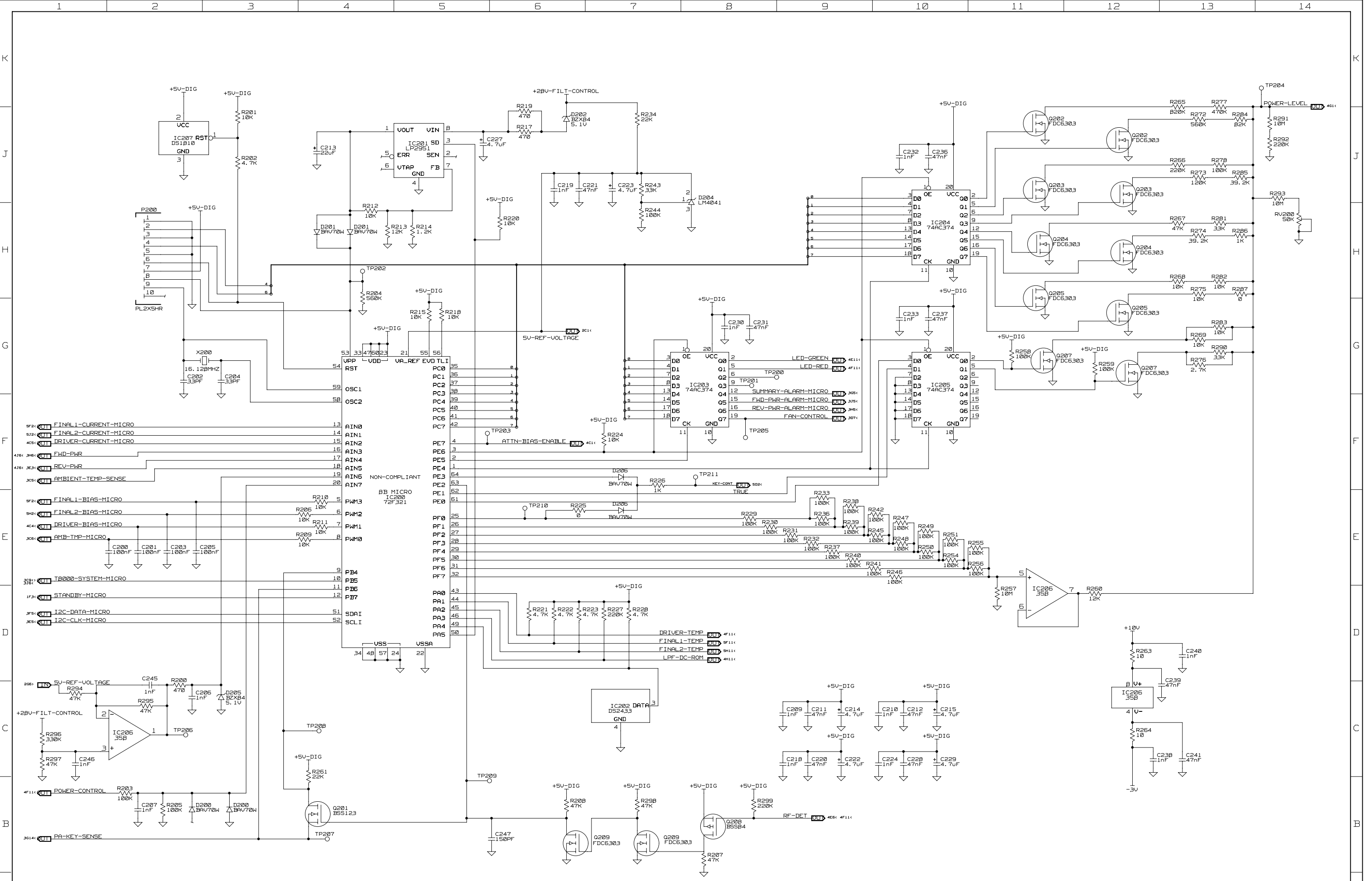


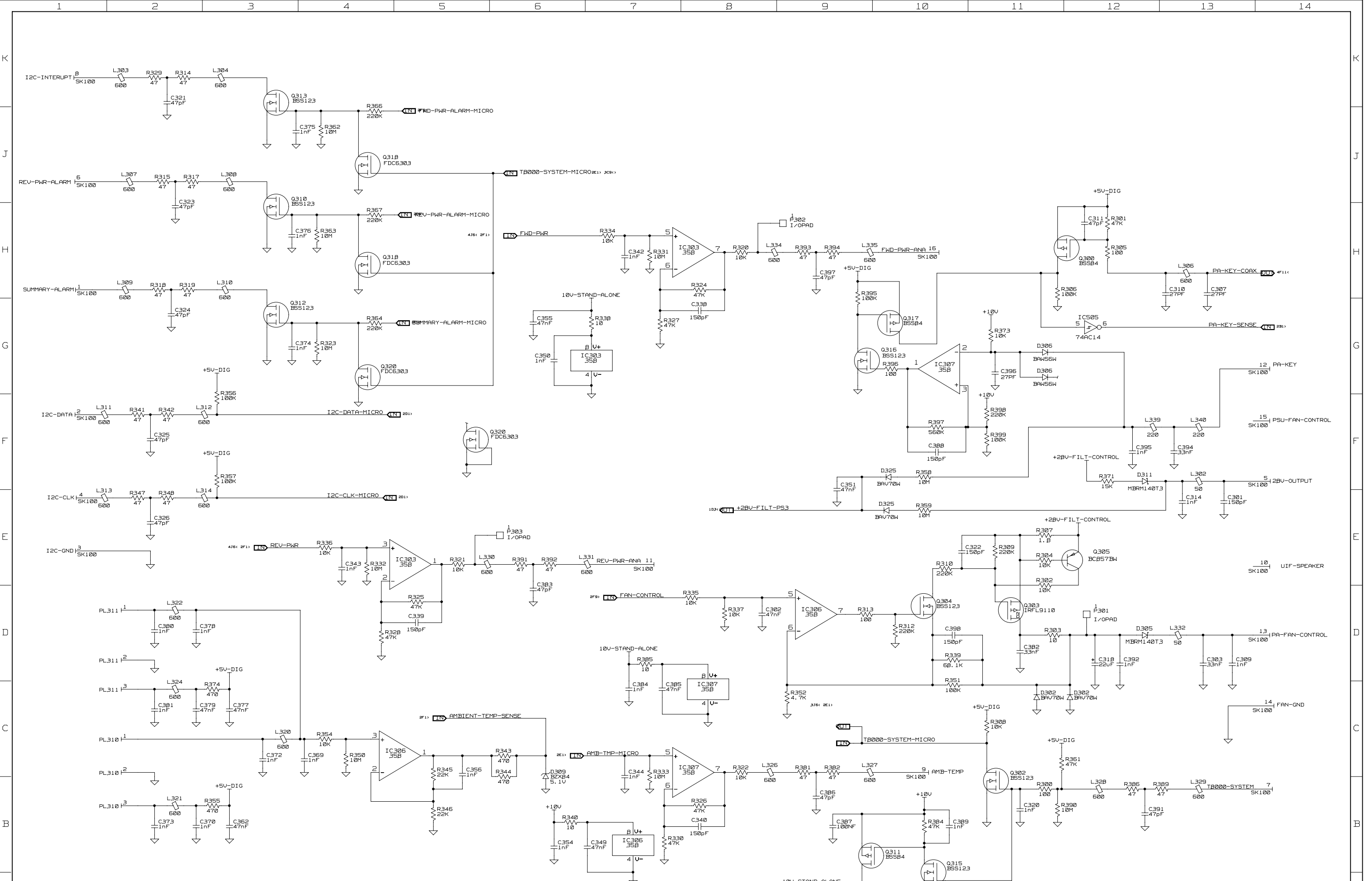
REV/ISS	AMENDMENTS	DRAWN	CHKD	D. O.	APVD	DATE	
06C	VALUE CHANGE L113, C303, C507, R103, R45B, R52B, R53D	OFA	S	OW	CK	OW	26SEP06
06A	ECO 101200253	BAM	OW	CK	OW	14/10/03	
05A	COPIED FROM 226-002B1-03 REF ECO 101200226	BAM	OW	CK	OW	07/10/03	

© TAIT ELECTRONICS		A1
TB8000 UHF PA CONTROL POWER SUPPLIES		
IPN: 220-02000-06	ISSUE: C	VARIANT NUMBER: ?
FILE DATE: Wed Sep 27 12:05:03 2006		
ENGINEER: QT	FILE NAME: 220_02000	SHEET NUMBER: 1 OF 5



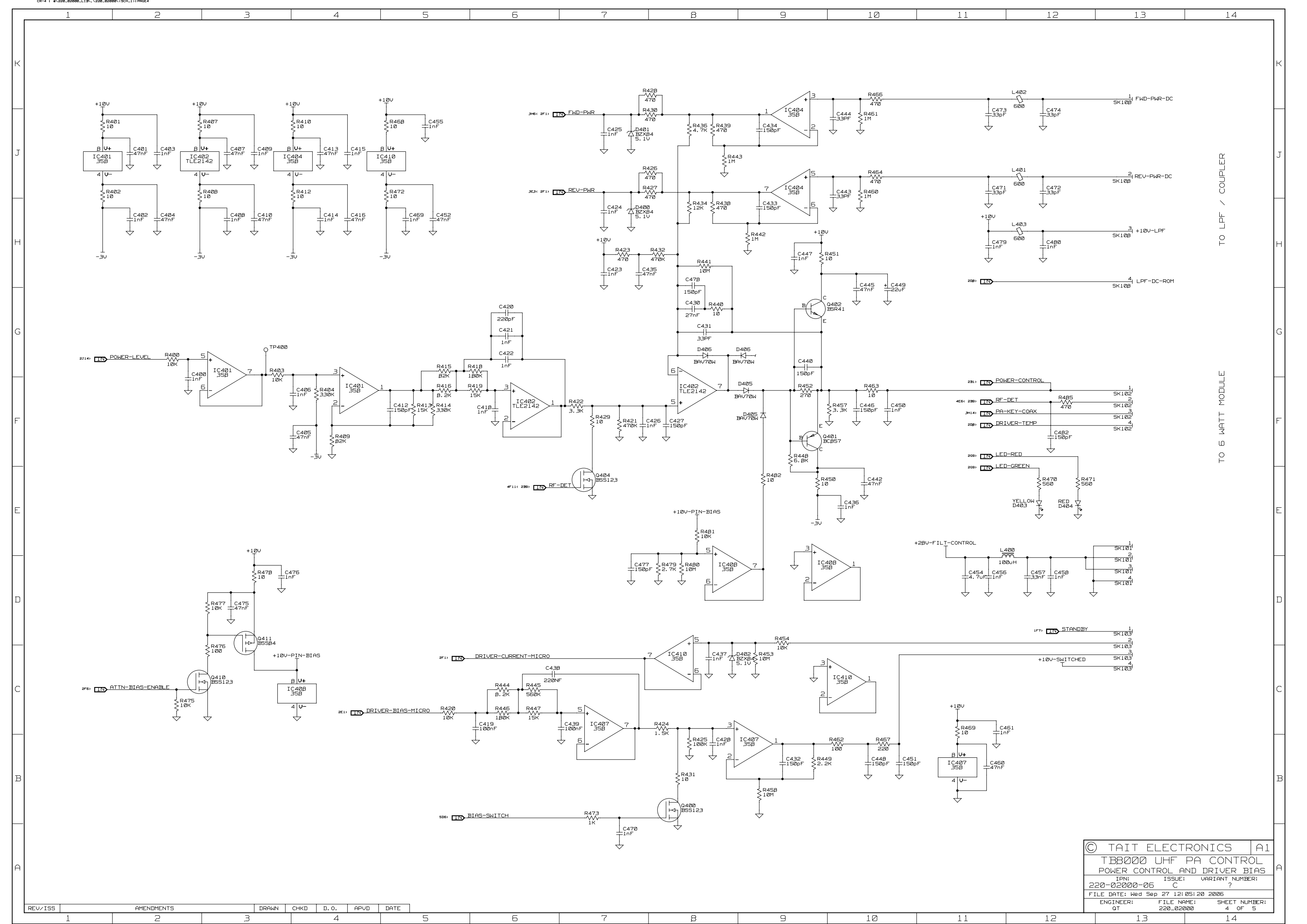
© TAIT ELECTRONICS		A1
TB800 UHF PA CONTROL MICROPROCESSOR		
IPN: 220-0200-06	ISSUE: C	VARIANT NUMBER: ?
FILE DATE: Wed Sep 27 12:05:08 2005		
ENGINEER: QT	FILE NAME: 220_0200	SHEET NUMBER: 2 OF 5

REV/ISS	AMENDMENTS	DRAWN	CHKD	D. O.	APVD	DATE
1						
2						
3						
4						
5						
6						
7						
8						
9						
10						
11						
12						
13						
14						



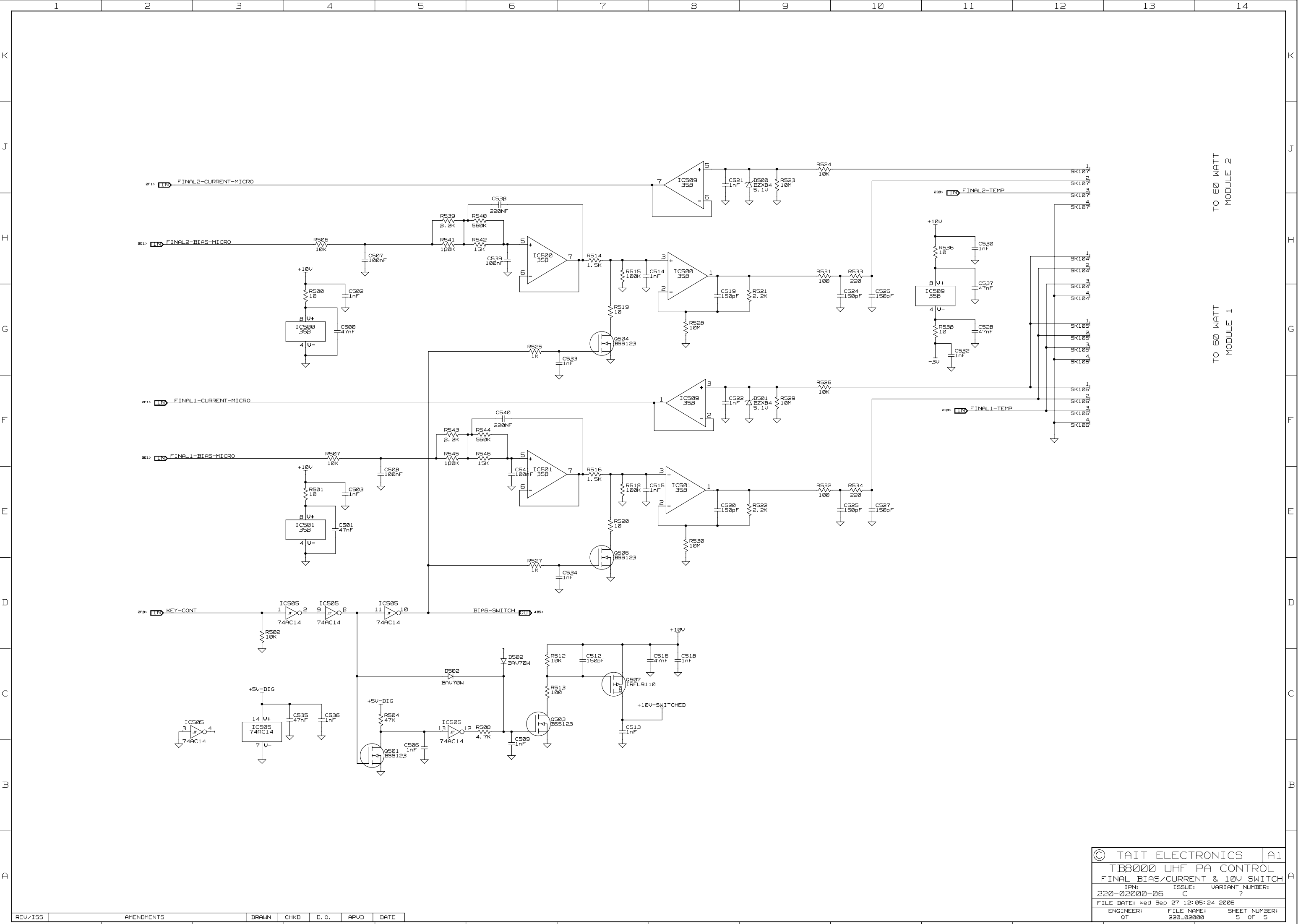
© TAIT ELECTRONICS A1
 TB8000 UHF PA CONTROL
 I/O AND KEY CIRCUITS
 IPN: 220-02000-06 ISSUE: C VARIANT NUMBER: ?
 FILE DATE: Wed Sep 27 12:05:14 2006
 ENGINEER: QT FILE NAME: 220_02000 SHEET NUMBER: 3 OF 5

REV/ISS	AMENDMENTS	DRAWN	CHKD	D. O.	APVD	DATE
1						
2						
3						
4						
5						



© TAIT ELECTRONICS		A1
TB8000 UHF PA CONTROL		
POWER CONTROL AND DRIVER BIAS		
IPN: 220-0200-06	ISSUE: C	VARIANT NUMBER: ?
FILE DATE: Wed Sep 27 12:05:20 2006		
ENGINEER: QT	FILE NAME: 220_02000	SHEET NUMBER: 4 OF 5

REV./ISS	AMENDMENTS	DRAWN	CHKD	D. O.	APVD	DATE
1						
2						
3						
4						
5						
6						
7						
8						
9						
10						
11						
12						
13						
14						



TO 60 WATT
MODULE 1

TO 60 WATT
MODULE 2

© TAIT ELECTRONICS		A1
TB8000 UHF PA CONTROL		
FINAL BIAS/CURRENT & 10V SWITCH		
IPN:	ISSUE:	VARIANT NUMBER:
220-0200-06	C	?
FILE DATE: Wed Sep 27 12:05:24 2006		
ENGINEER:	FILE NAME:	SHEET NUMBER:
QT	220_02000	5 OF 5

REV/ISS	AMENDMENTS	DRAWN	CHKD	D. O.	APVD	DATE
1						
2						
3						
4						
5						